

MAVERICK SPOT LIGHT

TECHNICAL SHEET
KL-SP00023

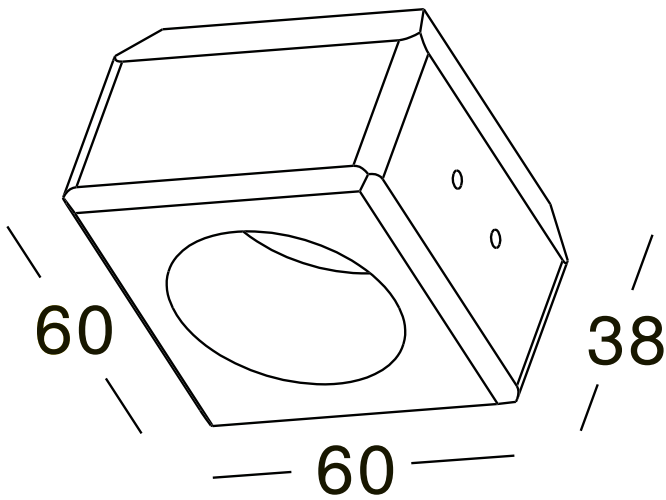


KEYLIGHT

SPAIN

PRODUCTOS DE ILUMINACION

DRAWING



63x63 mm



SPECIFICATIONS

Product Code	KL-SP00023
Power	1W
Input	220-240V
LED Type	CREE XB-D
Material	Gypsum
Dimensions	60mm*60mm*38mm
Cut-out	63mm*63mm



IP20